



### Features:

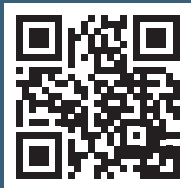
- Includes 1.75m hose, handset and wall bracket
- Wall bracket and single function handset
- Chrome plated to BS EN 248

### Product Certifications:



WRAS Cert. Number: 2012056  
WRAS Expiry Date: 31/12/2025

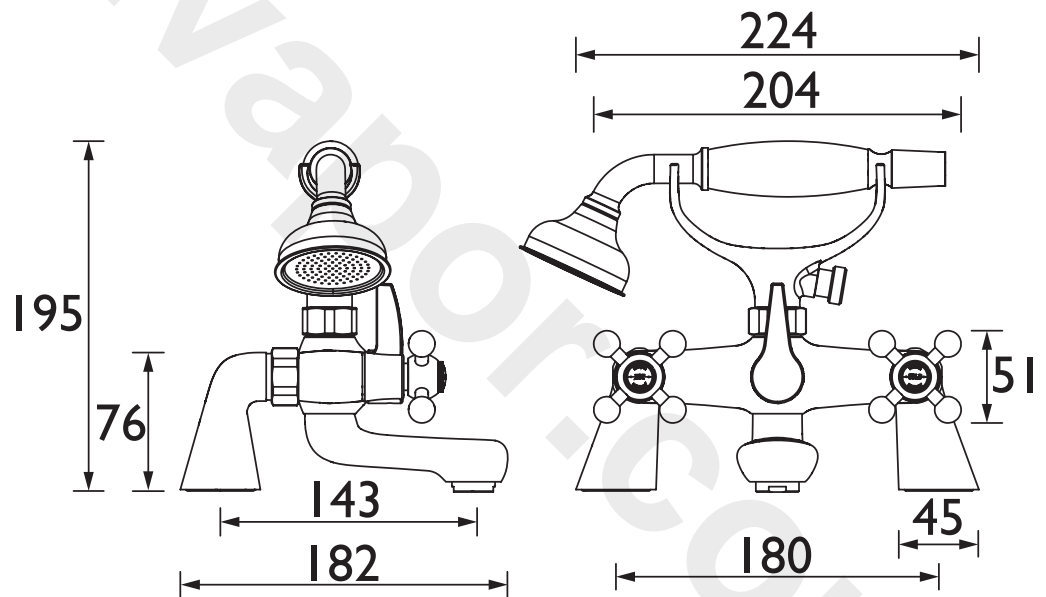
For more products, visit our website:  
<http://www.bristan.com>



### Specification

<b>Product Type:</b>	Bathroom Taps
<b>Main Construction Material:</b>	Brass
<b>Mount Type:</b>	Deck Mounted
<b>Handle Type:</b>	Crosshead Handles
<b>Connection Inlet:</b>	3/4" BSP
<b>Connection Outlet:</b>	M24 Anti-Splash
<b>Number of Tap Holes:</b>	2
<b>Valve/Cartridge Type:</b>	1/2" Standard Valves
<b>Plumbing System Requirements:</b>	Suitable for all plumbing systems
<b>Minimum Dynamic Pressure:</b>	0.2 Bar
<b>Maximum Dynamic Pressure:</b>	5.0 Bar
<b>Maximum Hot Water Temperature: °C</b>	65
<b>Maximum Static Pressure: (bar)</b>	10
<b>Flow Type:</b>	Single Flow

### Dimensions (measurements in mm)



### Flow Rates (l/min)

System Pressure (bar)	0.2	0.5	1	2	3	5
R LBSM C	20.9	32.3	33	34.7	35.5	37.3

## TECHNICAL DATA SHEET



# BRISTAN